

## Holding Bushings

Stainless Steel, for Ball Lock Pins / Locking Pins

### SPECIFICATION

#### Types

- Type **B**: With collar
- Type **S**: With countersunk head

Stainless steel AISI 303 **NI**

### INFORMATION

Holding bushings GN 1140 are designed for ball lock pins, such as GN 113.3 (see page 870), or locking pins GN 114.2 (see page 882). They are used when the existing wall thickness is thin or for installation in a blind hole. They also provide reinforcement when the locking pin or ball lock pin is used with soft, sensitive materials.

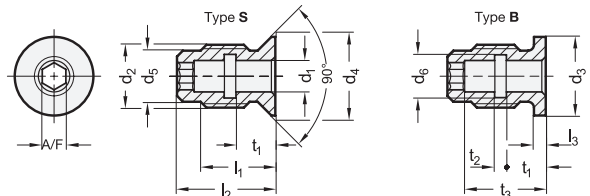
Type B establishes a defined screw-in depth due to the collar. Type S with countersunk head allows for centered, flush installation in an easily created hole.

The holding bushings fit the following locking pins and ball lock pins: GN 113.3 (see page 870), GN 113.4 (see page 872), GN 113.5 (see page 874), GN 113.6 (see page 876), GN 113.7 (see page 878), GN 113.8 (see page 880), GN 113.9 (see page ), GN 113.10 (see page ), GN 113.11 (see page ), GN 113.12 (see page ), GN 113.30 (see page ), GN 114.2 (see page 882), GN 114.3 (see page 884), GN 114.6 (see page 886), GN 124.2 (see page 895), GN 124.3 (see page ), GN 214.2 (see page 888), GN 214.3 (see page 890), GN 214.6 (see page 892).

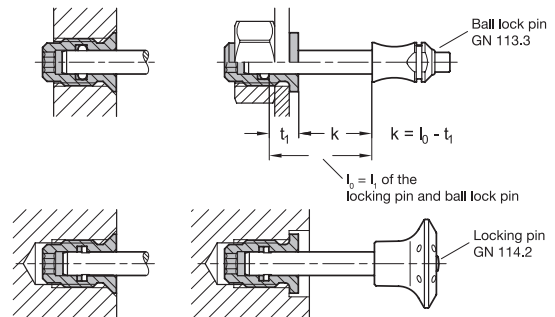


### TECHNICAL INFORMATION

- Range of lock pins (see page 868)
- Stainless Steel Characteristics (see page A26)



#### Application examples



### GN 1140-B

STAINLESS STEEL

Description	d1	d2	d3	d5	d6	l1 ≈	l2	l3	A/F	t1	t2	t3	⚖
GN 1140-5-M12-B-NI	5 +0.10/+0.02	M 12	16	9.4	6.5	16.5	21	2	4	10	1.5	17.5	14
GN 1140-6-M14-B-NI	6 +0.10/+0.02	M 14	18	11.4	8.2	17.5	23	2	5	10	2.5	18.5	20
GN 1140-8-M16-B-NI	8 +0.10/+0.02	M 16	20	13	11.1	19.5	25	3	6	10	3	20.5	26
GN 1140-10-M20-B-NI	10 +0.15/+0.05	M 20	25	16.4	13.4	21.5	28	3	8	10	4	22	44
GN 1140-12-M24-B-NI	12 +0.15/+0.05	M 24	30	19.6	15.4	29.5	39	4	10	20	5	33.5	91
GN 1140-16-M30-B-NI	16 +0.15/+0.05	M 30	36	25	20.3	33.5	43	4	10	20	7	36.5	149

### GN 1140-S

STAINLESS STEEL

Description	d1	d2	d4	d5	d6	l1 ≈	l2	A/F	t1	t2	t3	⚖
GN 1140-5-M12-S-NI	5 +0.10/+0.02	M 12	18	9.4	6.5	16.5	21	4	10	1.5	17.5	14
GN 1140-6-M14-S-NI	6 +0.10/+0.02	M 14	20	11.4	8.2	17.5	23	5	10	2.5	18.5	20
GN 1140-8-M16-S-NI	8 +0.10/+0.02	M 16	22	13	11.1	19.5	25	6	10	3	20.5	25
GN 1140-10-M20-S-NI	10 +0.15/+0.05	M 20	27	16.4	13.4	21.5	28	8	10	4	22	44
GN 1140-12-M24-S-NI	12 +0.15/+0.05	M 24	32	19.6	15.4	29.5	39	10	20	5	33.5	89
GN 1140-16-M30-S-NI	16 +0.15/+0.05	M 30	38	25	20.3	33.5	43	10	20	7	36.5	147